

7. Optional Parts

- Be sure to secure the solenoid valve kit with the hanging bolts not to cause any falling damage, using the hanging hooks.
Do not place the solenoid valve kit directly on the ceiling surface. Select a location where the ceiling is enough to support the weight of the solenoid valve Kit. When installing the solenoid valve kit, **remember to install it with the top surface facing upward.** (See the figure shown in the subsection “How to use the fittings” in “3. Valve Dimensions and Hanging Method.”)
- When installing the valve body, install with the top surface facing up. Secure 200mm or more of space to the front and 150mm space upward so that the service panel can be removed upward.
- **Never conduct drilling or welding on the sheet metal.** Place the solenoid valve kit so that it does not hinder draining.
- Do not cover air holes.

3. Valve Dimensions and Hanging Method

- There are 2 types of solenoid valve kits: type 56 and type 160. The corresponding indoor unit model capacities are shown in the table at right.

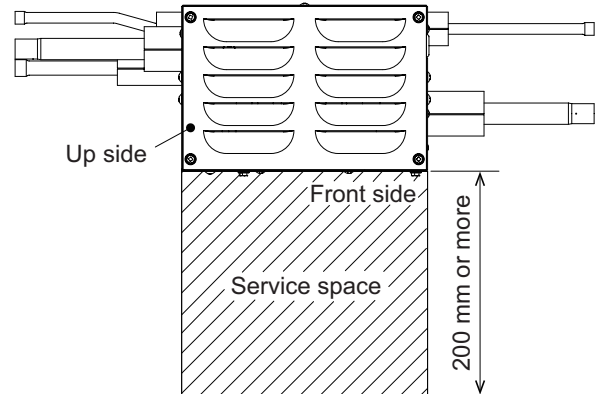
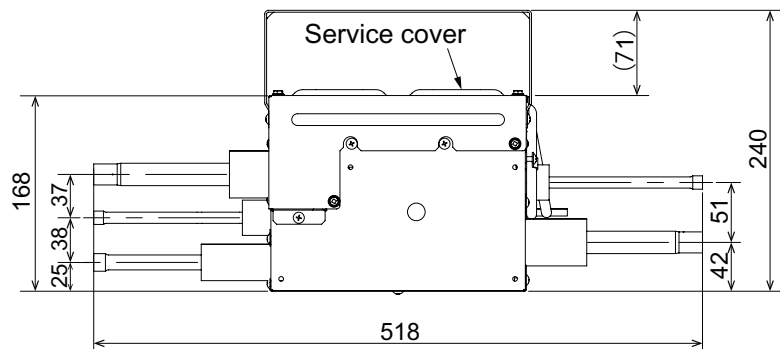
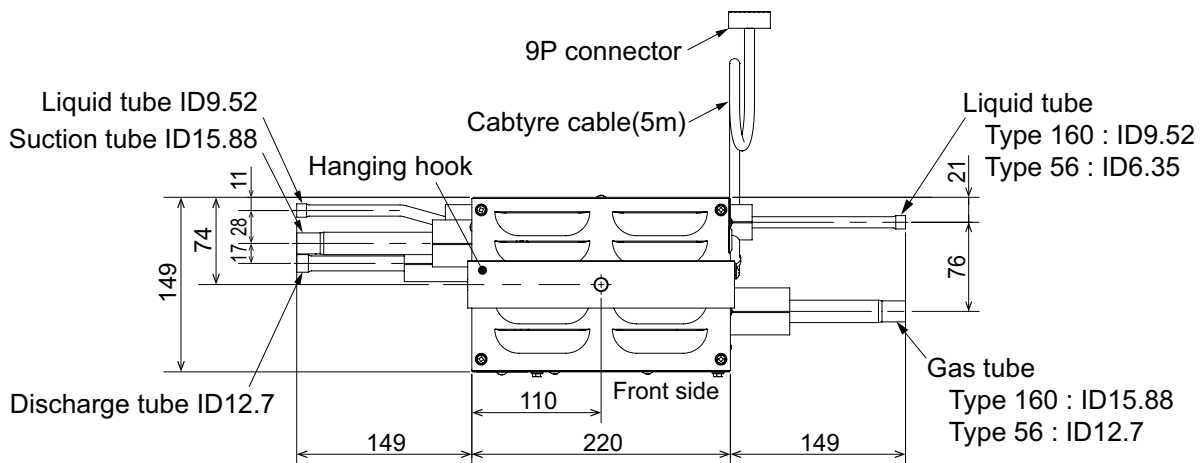


Fig. 7-1 Service space

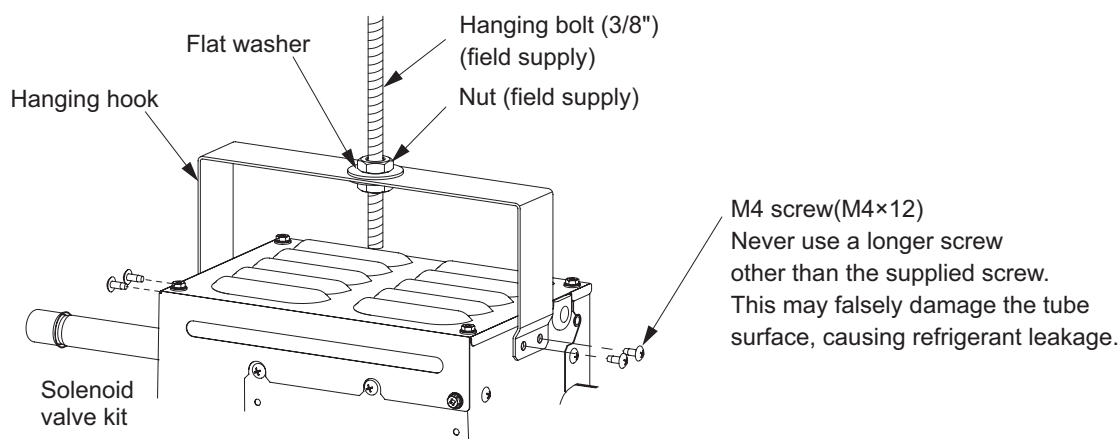
Solenoid Valve Kit	Indoor Unit Capacity
CZ-P56HR3	22 – 56 Type
CZ-P160HR3	71 – 160 Type
CZ-P160HR3 × 2 or CZ-P56HR3 × 1 + CZ-P160HR3 × 1	224 Type
CZ-P160HR3 × 2	280 Type



Note: This figure shows the unit with suspension fittings attached.

7. Optional Parts

How to use the fittings

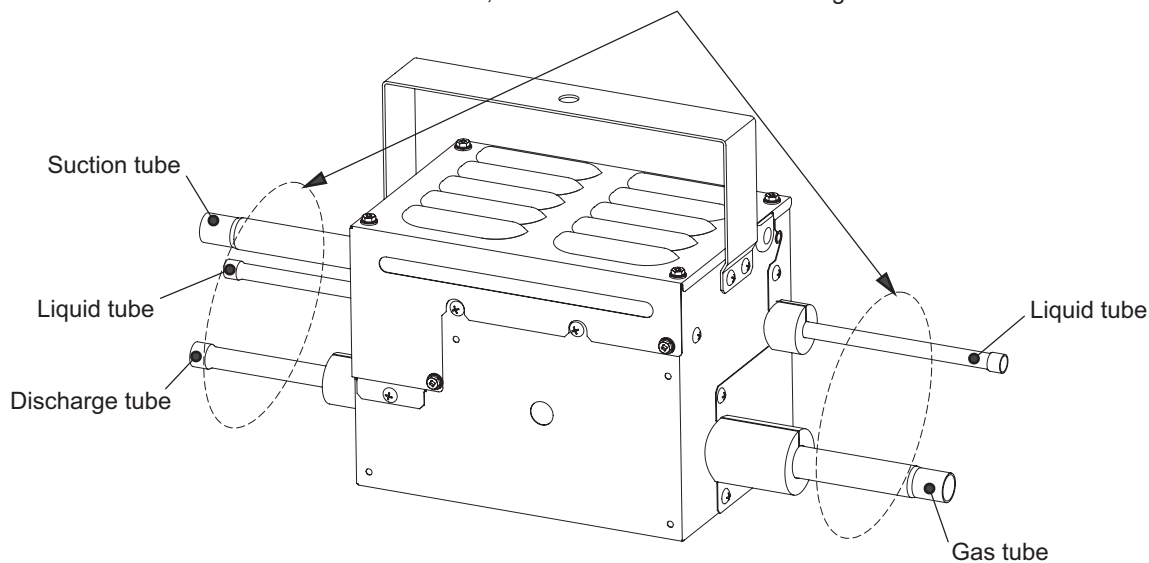


- Be sure to attach the supplied hanging hook.

4. Wiring, Tubing, and Heat Insulation

1. Refrigerant tubing

Cool with damp cloth or other means when brazing the joint with a torch. Otherwise, the solenoid valve will be damaged.



- When brazing, be sure to perform nitrogen replacement inside the tube so that oxidation coating does not form inside the tube.

2. Wiring

Connect the 9P connector coming from the solenoid valve kit through the power inlet of the indoor unit to the 9P connector (red) of the Solenoid Valve Control PCB (sold separately). (Figs. 7-2-1, 2, 3)

Accessory wire length is 5 m.

In case the wire is not long enough, cut the wire halfway and connect additional wire (field supply) as an extension using a terminal box (field supply).

Additional wire must be "H05VVF 0.5mm²" or "60227 IEC53".

Anchor the cabtyre cable using the binding bands inside the unit.

Do not route the cabtyre cable through the same wiring conduit as the remote controller wiring or inter-unit control wiring.

If the supply cord is damaged, it must be replaced by the manufacturer, its service agent or similarly qualified persons in order to avoid a hazard.