

P1 TYPE FLOOR STANDING



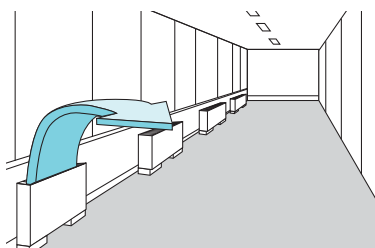
P1 Type

The compact floor standing P1 units are the ideal solution for providing perimeter air conditioning. The standard wired controller can be incorporated into the body of the unit.

Technical focus

- Pipes can be connected to either side of the unit from the bottom or rear
- Easy to install
- Front panel opens fully for easy maintenance
- Removable air discharge grille gives flexible air flow
- Room for condensate pump

Effective perimeter handling



A standard wired remote control can be installed in the body



OPTIONAL CONTROLLER
Timer remote controller
CZ-RTC2



OPTIONAL CONTROLLER
Wireless remote controller
CZ-RWSC2



OPTIONAL CONTROLLER
Simplified remote controller
CZ-RE2C2

MODEL NAME	P1 TYPE	S-22MP1E5	S-28MP1E5	S-36MP1E5	S-45MP1E5	S-56MP1E5	S-71MP1E5
Power source		230 V / 1 phase / 50 Hz					
Cooling capacity	kW	2.2	2.8	3.6	4.5	5.6	7.1
Cooling power input	W	56	56	85	126	126	160
Cooling operating current	A	0.25	0.25	0.38	0.56	0.56	0.72
Heating capacity	kW	2.5	3.2	4.2	5.0	6.3	8.0
Heating power input	W	40	40	70	91	91	120
Heating operating current	A	0.18	0.18	0.31	0.41	0.41	0.54
Fan	Type	Sirocco fan	Sirocco fan	Sirocco fan	Sirocco fan	Sirocco fan	Sirocco fan
	Air flow rate (H/M/L)	m ³ /h	420 / 360 / 300	420 / 360 / 300	540 / 420 / 360	720 / 540 / 480	900 / 780 / 660
Sound pressure level (L/M/H)	dB(A)	28 / 30 / 33	28 / 30 / 33	29 / 35 / 39	31 / 35 / 38	31 / 36 / 39	35 / 38 / 41
Dimensions P1 Type	H x W x D	mm	615 x 1,065 x 230	615 x 1,065 x 230	615 x 1,065 x 230	615 x 1,380 x 230	615 x 1,380 x 230
Dimensions R1 Type	H x W x D	mm	616 x 904 x 229	616 x 904 x 229	616 x 904 x 229	616 x 1,219 x 229	616 x 1,219 x 229
Pipe connections	Liquid	inches (mm)	1/4 (6.35)	1/4 (6.35)	1/4 (6.35)	1/4 (6.35)	3/8 (9.52)
	Gas	inches (mm)	1/2 (12.7)	1/2 (12.7)	1/2 (12.7)	1/2 (12.7)	5/8 (15.88)
	Drain piping		VP-20	VP-20	VP-20	VP-20	VP-20
Net weight P1 Type	Kg	29	29	29	39	39	39

Energy saving INVERTER+	Environmentally friendly refrigerant R410A	Easy maintenance SELF-DIAGNOSING	For more comfort AUTOMATIC FAN	Perfect humidity control MILD DRY	Practical operation AUTOMATIC RESTART	Easy control CONNECTIVITY
-----------------------------------	--	--	--	---	---	-------------------------------------

Rating Conditions: Cooling Indoor 27 °C DB / 19 °C WB. Cooling Outdoor 35 °C DB / 24 °C WB. Heating Indoor 20 °C DB. Cooling Outdoor 7 °C DB / 6 °C WB.
DB: Dry Bulb; WB: Wet Bulb

9. Floor Standing Type (P1 Type)

9-1. Specifications

Unit specifications (A)

MODEL No.	Indoor Unit		S-22MP1E5					
POWER SOURCE			220 - 230 - 240 V, single-phase, 50/60 Hz					
PERFORMANCE			Cooling			Heating		
Capacity	kW		2.2			2.5		
	BTU / h		7,500			8,500		
Air circulation (Hi / Me / Lo)		m ³ / h	420 / 360 / 300					
Moisture removal (High)		Liters / h	1.0			-		
ELECTRICAL RATINGS								
Voltage rating	V		220	230	240	220	230	240
Available voltage range		V	198 - 264			198 - 264		
Running amperes		A	0.24	0.25	0.26	0.17	0.18	0.19
Power input		W	51	56	61	36	40	45
Power factor		%	97	97	98	96	97	99
Max. starting amperes		A	1	1	1	1	1	1
FEATURES								
Controls		Microprocessor						
Timer		ON / OFF Timer (Max. 72 hr)						
Fan speeds		3 and Automatic control						
Air filter		Washable, easy access						
Refrigerant control		Electronic expansion valve						
Operation sound (Hi / Me / Lo)		dB-A	33 / 30 / 28					
Refrigerant tubing connections		Flare type						
Refrigerant tube diameter	Liquid tube	mm (in.)	6.35 (1 / 4)					
	Gas tube	mm (in.)	12.7 (1 / 2)					
Drain connection		20 A, OD26 mm						
Remote controller		Optional (Wired / Wireless)						
Refrigerant tubing kit / Accessories		Optional / -						
Color (Approximate value)		Munsell 10Y 9.3 / 0.4, RAL 9010-GL						
DIMENSIONS & WEIGHT			Unit dimensions			Package dimensions		
Unit dimensions	Height	mm (in.)	615 (24-7 / 32)			694 (27-5 / 16)		
	Width	mm (in.)	1065 (41-15 / 16)			1157 (45-9 / 16)		
	Depth	mm (in.)	230 (9-1 / 16)			312 (12-9 / 32)		
Net weight		kg (lbs.)	29 (64)					
Shipping weight		kg (lbs.)	31 (68)					
Shipping volume		m ³ (cu.ft)	0.251 (8.9)					

DATA SUBJECT TO CHANGE WITHOUT NOTICE.

Rated conditions

Cooling: Indoor air temperature 27°C DB / 19°C WB; Outdoor air temperature 35°C DB

Heating: Indoor air temperature 20°C DB; Outdoor air temperature 7°C DB / 6°C WB

9. Floor Standing Type (P1 Type)

Unit specifications (B)

MODEL No.	Indoor Unit		S-28MP1E5					
POWER SOURCE			220 - 230 - 240 V, single-phase, 50/60 Hz					
PERFORMANCE			Cooling			Heating		
Capacity	kW		2.8			3.2		
	BTU / h		9,600			11,000		
Air circulation (Hi / Me / Lo)		m ³ / h	420 / 360 / 300					
Moisture removal (High)		Liters / h	1.3			-		
ELECTRICAL RATINGS								
Voltage rating		V	220	230	240	220	230	240
Available voltage range		V	198 - 264			198 - 264		
Running amperes		A	0.24	0.25	0.26	0.17	0.18	0.19
Power input		W	51	56	61	36	40	45
Power factor		%	97	97	98	96	97	99
Max. starting amperes		A	1	1	1	1	1	1
FEATURES								
Controls		Microprocessor						
Timer		ON / OFF Timer (Max. 72 hr)						
Fan speeds		3 and Automatic control						
Air filter		Washable, easy access						
Refrigerant control		Electronic expansion valve						
Operation sound (Hi / Me / Lo)		dB-A	33 / 30 / 28					
Refrigerant tubing connections		Flare type						
Refrigerant tube diameter	Liquid tube	mm (in.)	6.35 (1 / 4)					
	Gas tube	mm (in.)	12.7 (1 / 2)					
Drain connection		20 A, OD26 mm						
Remote controller		Optional (Wired / Wireless)						
Refrigerant tubing kit / Accessories		Optional / -						
Color (Approximate value)		Munsell 10Y 9.3 / 0.4, RAL 9010-GL						
DIMENSIONS & WEIGHT			Unit dimensions			Package dimensions		
Unit dimensions	Height	mm (in.)	615 (24-7 / 32)			694 (27-5 / 16)		
	Width	mm (in.)	1065 (41-15 / 16)			1157 (45-9 / 16)		
	Depth	mm (in.)	230 (9-1 / 16)			312 (12-9 / 32)		
Net weight		kg (lbs.)	29 (64)					
Shipping weight		kg (lbs.)	31 (68)					
Shipping volume		m ³ (cu.ft)	0.251 (8.9)					

DATA SUBJECT TO CHANGE WITHOUT NOTICE.

Rated conditions

Cooling: Indoor air temperature 27°C DB / 19°C WB; Outdoor air temperature 35°C DB

Heating: Indoor air temperature 20°C DB; Outdoor air temperature 7°C DB / 6°C WB

9. Floor Standing Type (P1 Type)

Unit specifications (C)

MODEL No.	Indoor Unit		S-36MP1E5					
POWER SOURCE			220 - 230 - 240 V, single-phase, 50/60 Hz					
PERFORMANCE			Cooling			Heating		
Capacity	kW		3.6			4.2		
	BTU / h		12,000			14,000		
Air circulation (Hi / Me / Lo)	m ³ / h		540 / 420 / 360					
Moisture removal (High)	Liters / h		1.7			-		
ELECTRICAL RATINGS								
Voltage rating	V		220	230	240	220	230	240
Available voltage range	V		198 - 264			198 - 264		
Running amperes	A		0.37	0.38	0.39	0.30	0.31	0.32
Power input	W		79	85	91	64	70	76
Power factor	%		97	97	98	96	98	99
Max. starting amperes	A		1	1	1	1	1	1
FEATURES								
Controls			Microprocessor					
Timer			ON / OFF Timer (Max. 72 hr)					
Fan speeds			3 and Automatic control					
Air filter			Washable, easy access					
Refrigerant control			Electronic expansion valve					
Operation sound (Hi / Me / Lo)	dB-A		39 / 35 / 29					
Refrigerant tubing connections			Flare type					
Refrigerant tube diameter	Liquid tube	mm (in.)	6.35 (1 / 4)					
	Gas tube	mm (in.)	12.7 (1 / 2)					
Drain connection			20 A, OD26 mm					
Remote controller			Optional (Wired / Wireless)					
Refrigerant tubing kit / Accessories			Optional / -					
Color (Approximate value)			Munsell 10Y 9.3 / 0.4, RAL 9010-GL					
DIMENSIONS & WEIGHT			Unit dimensions			Package dimensions		
Unit dimensions	Height	mm (in.)	615 (24-7 / 32)			694 (27-5 / 16)		
	Width	mm (in.)	1065 (41-15 / 16)			1157 (45-9 / 16)		
	Depth	mm (in.)	230 (9-1 / 16)			312 (12-9 / 32)		
Net weight		kg (lbs.)	29 (64)					
Shipping weight		kg (lbs.)	31 (68)					
Shipping volume		m ³ (cu.ft)	0.251 (8.9)					

DATA SUBJECT TO CHANGE WITHOUT NOTICE.

Rated conditions

Cooling: Indoor air temperature 27°C DB / 19°C WB; Outdoor air temperature 35°C DB

Heating: Indoor air temperature 20°C DB; Outdoor air temperature 7°C DB / 6°C WB

9. Floor Standing Type (P1 Type)

Unit specifications (D)

MODEL No.	Indoor Unit		S-45MP1E5					
POWER SOURCE			220 - 230 - 240 V, single-phase, 50/60 Hz					
PERFORMANCE			Cooling			Heating		
Capacity	kW		4.5			5.0		
	BTU / h		15,000			17,000		
Air circulation (Hi / Me / Lo)		m ³ / h	720 / 540 / 480					
Moisture removal (High)		Liters / h	2.5			-		
ELECTRICAL RATINGS								
Voltage rating		V	220	230	240	220	230	240
Available voltage range		V	198 - 264			198 - 264		
Running amperes		A	0.54	0.56	0.58	0.37	0.41	0.43
Power input		W	116	126	136	79	91	101
Power factor		%	98	98	98	97	97	98
Max. starting amperes		A	1	1	1	1	1	1
FEATURES								
Controls		Microprocessor						
Timer		ON / OFF Timer (Max. 72 hr)						
Fan speeds		3 and Automatic control						
Air filter		Washable, easy access						
Refrigerant control		Electronic expansion valve						
Operation sound (Hi / Me / Lo)		dB-A	38 / 35 / 31					
Refrigerant tubing connections		Flare type						
Refrigerant tube diameter	Liquid tube	mm (in.)	6.35 (1 / 4)					
	Gas tube	mm (in.)	12.7 (1 / 2)					
Drain connection		20 A, OD26 mm						
Remote controller		Optional (Wired / Wireless)						
Refrigerant tubing kit / Accessories		Optional / -						
Color (Approximate value)		Munsell 10Y 9.3 / 0.4, RAL 9010-GL						
DIMENSIONS & WEIGHT			Unit dimensions			Package dimensions		
Unit dimensions	Height	mm (in.)	615 (24-7 / 32)			694 (27-5 / 16)		
	Width	mm (in.)	1380 (54-11 / 32)			1472 (57-15 / 16)		
	Depth	mm (in.)	230 (9-1 / 16)			312 (12-9 / 32)		
Net weight		kg (lbs.)	39 (86)					
Shipping weight		kg (lbs.)	41 (90)					
Shipping volume		m ³ (cu.ft)	0.319 (11.3)					

DATA SUBJECT TO CHANGE WITHOUT NOTICE.

Rated conditions

Cooling: Indoor air temperature 27°C DB / 19°C WB; Outdoor air temperature 35°C DB

Heating: Indoor air temperature 20°C DB; Outdoor air temperature 7°C DB / 6°C WB

9. Floor Standing Type (P1 Type)

Unit specifications (E)

MODEL No.	Indoor Unit		S-56MP1E5					
POWER SOURCE			220 - 230 - 240 V, single-phase, 50/60 Hz					
PERFORMANCE			Cooling			Heating		
Capacity	kW		5.6			6.3		
	BTU / h		19,000			21,000		
Air circulation (Hi / Me / Lo)		m ³ / h	900 / 780 / 660					
Moisture removal (High)		Liters / h	2.5			-		
ELECTRICAL RATINGS								
Voltage rating	V		220	230	240	220	230	240
Available voltage range		V	198 - 264			198 - 264		
Running amperes		A	0.54	0.56	0.58	0.37	0.41	0.43
Power input		W	116	126	136	79	91	101
Power factor		%	98	98	98	97	97	98
Max. starting amperes		A	1	1	1	1	1	1
FEATURES								
Controls		Microprocessor						
Timer		ON / OFF Timer (Max. 72 hr)						
Fan speeds		3 and Automatic control						
Air filter		Washable, easy access						
Refrigerant control		Electronic expansion valve						
Operation sound (Hi / Me / Lo)		dB-A	39 / 36 / 31					
Refrigerant tubing connections		Flare type						
Refrigerant tube diameter	Liquid tube	mm (in.)	6.35 (1 / 4)					
	Gas tube	mm (in.)	12.7 (1 / 2)					
Drain connection		20 A, OD26 mm						
Remote controller		Optional (Wired / Wireless)						
Refrigerant tubing kit / Accessories		Optional / -						
Color (Approximate value)		Munsell 10Y 9.3 / 0.4, RAL 9010-GL						
DIMENSIONS & WEIGHT			Unit dimensions			Package dimensions		
Unit dimensions	Height	mm (in.)	615 (24-7 / 32)			694 (27-5 / 16)		
	Width	mm (in.)	1380 (54-11 / 32)			1472 (57-15 / 16)		
	Depth	mm (in.)	230 (9-1 / 16)			312 (12-9 / 32)		
Net weight		kg (lbs.)	39 (86)					
Shipping weight		kg (lbs.)	41 (90)					
Shipping volume		m ³ (cu.ft)	0.319 (11.3)					

DATA SUBJECT TO CHANGE WITHOUT NOTICE.

Rated conditions

Cooling: Indoor air temperature 27°C DB / 19°C WB; Outdoor air temperature 35°C DB

Heating: Indoor air temperature 20°C DB; Outdoor air temperature 7°C DB / 6°C WB

9. Floor Standing Type (P1 Type)

Unit specifications (F)

MODEL No.	Indoor Unit		S-71MP1E5					
POWER SOURCE			220 - 230 - 240 V, single-phase, 50/60 Hz					
PERFORMANCE			Cooling			Heating		
Capacity	kW		7.1			8.0		
	BTU / h		24,000			27,000		
Air circulation (Hi / Me / Lo)	m ³ / h		1,020 / 840 / 720					
Moisture removal (High)	Liters / h		3.5			-		
ELECTRICAL RATINGS								
Voltage rating	V		220	230	240	220	230	240
Available voltage range	V		198 - 264			198 - 264		
Running amperes	A		0.70	0.72	0.73	0.52	0.54	0.56
Power input	W		150	160	170	110	120	130
Power factor	%		97	97	97	96	97	97
Max. starting amperes	A		1	1	1	1	1	1
FEATURES								
Controls			Microprocessor					
Timer			ON / OFF Timer (Max. 72 hr)					
Fan speeds			3 and Automatic control					
Air filter			Washable, easy access					
Refrigerant control			Electronic expansion valve					
Operation sound (Hi / Me / Lo)	dB-A		41 / 38 / 35					
Refrigerant tubing connections			Flare type					
Refrigerant tube diameter	Liquid tube	mm (in.)	9.52 (3 / 8)					
	Gas tube	mm (in.)	15.88 (5 / 8)					
Drain connection			20 A, OD26 mm					
Remote controller			Optional (Wired / Wireless)					
Refrigerant tubing kit / Accessories			Optional / -					
Color (Approximate value)			Munsell 10Y 9.3 / 0.4, RAL 9010-GL					
DIMENSIONS & WEIGHT			Unit dimensions			Package dimensions		
Unit dimensions	Height	mm (in.)	615 (24-7 / 32)			694 (27-5 / 16)		
	Width	mm (in.)	1380 (54-11 / 32)			1472 (57-15 / 16)		
	Depth	mm (in.)	230 (9-1 / 16)			312 (12-9 / 32)		
Net weight		kg (lbs.)	39 (86)					
Shipping weight		kg (lbs.)	41 (90)					
Shipping volume		m ³ (cu.ft)	0.319 (11.3)					

DATA SUBJECT TO CHANGE WITHOUT NOTICE.

Rated conditions

Cooling: Indoor air temperature 27°C DB / 19°C WB; Outdoor air temperature 35°C DB

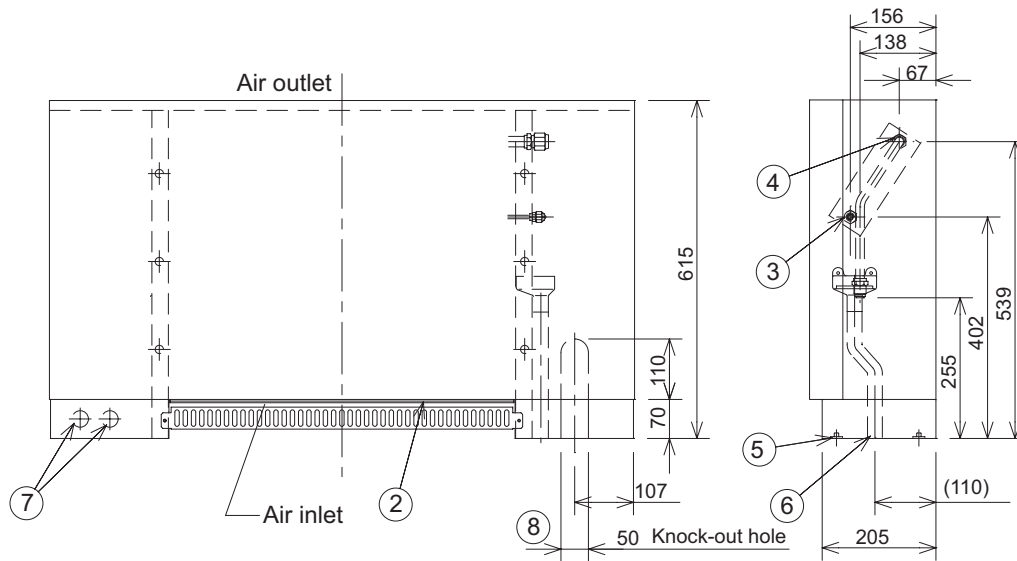
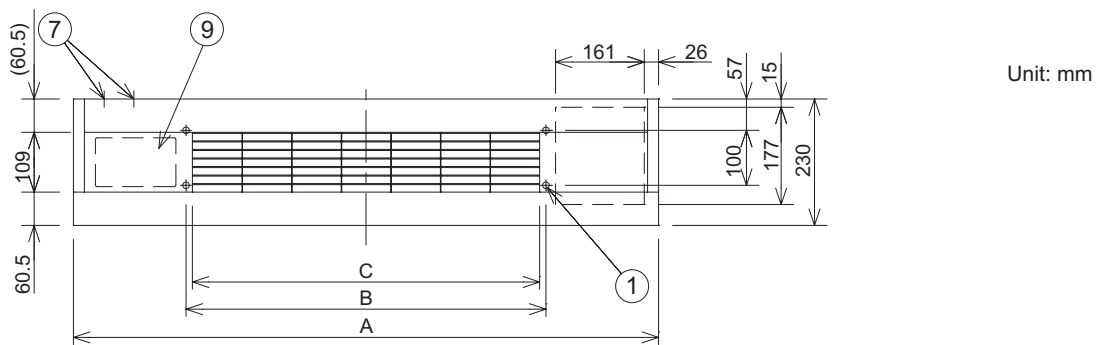
Heating: Indoor air temperature 20°C DB; Outdoor air temperature 7°C DB / 6°C WB

9. Floor Standing Type (P1 Type)

9-3. Dimensional Data

Indoor unit: S-22MP1E5 / 28MP1E5 / 36MP1E5 / 45MP1E5 / 56MP1E5 / 71MP1E5

Indoor unit	A	B	C	Liquid tube	Gas tube
S-22MP1E5 / 28MP1E5 /36MP1E5	1,065	665	632	ø6.35	ø12.7
S-45MP1E5	1380	980	947		
S-56MP1E5					
S-71MP1E5				ø9.52	ø15.88

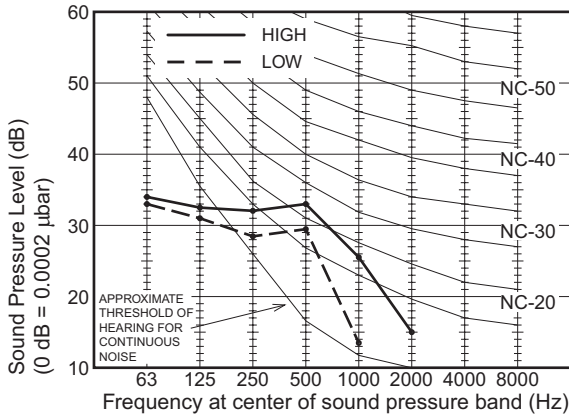


- ① 4-ø12 hole (For fastening the indoor unit to the floor with screws.)
- ② Air filter
- ③ Refrigerant connection outlet (liquid tube)
- ④ Refrigerant connection outlet (gas tube)
- ⑤ Level adjusting bolt
- ⑥ Drain outlet (20 A)
- ⑦ Power cord outlet (downward, rear)
- ⑧ Refrigerant tubing outlet (downward, rear)
- ⑨ Location for mounting the remote controller (Remote controller can be attached within the room.)

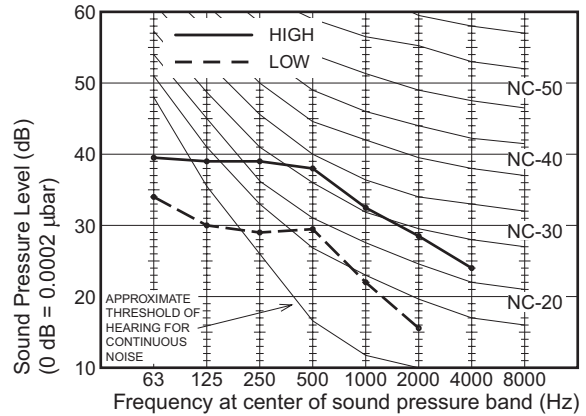
9. Floor Standing Type (P1 Type)

9-4. Noise Criterion Curves

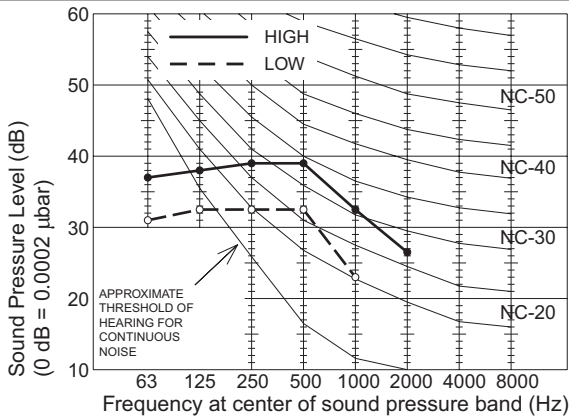
MODEL	: S-22MR1E5/28MR1E5
SOUND LEVEL	: HIGH 33 dB(A), NC 27
	LOW 28 dB(A), NC 23
CONDITION	In front of the unit 1 m, HEIGHT 1 m
SOURCE	: 220 - 230- 240 V, Single-phase, 50/60 Hz



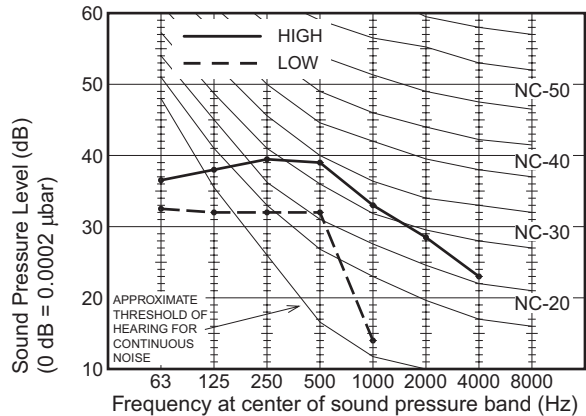
MODEL	: S-36MR1E5
SOUND LEVEL	: HIGH 39 dB(A), NC 33
	LOW 29 dB(A), NC 23
CONDITION	: In front of the unit 1 m, HEIGHT 1 m
SOURCE	: 220 - 230- 240 V, Single-phase, 50/60 Hz



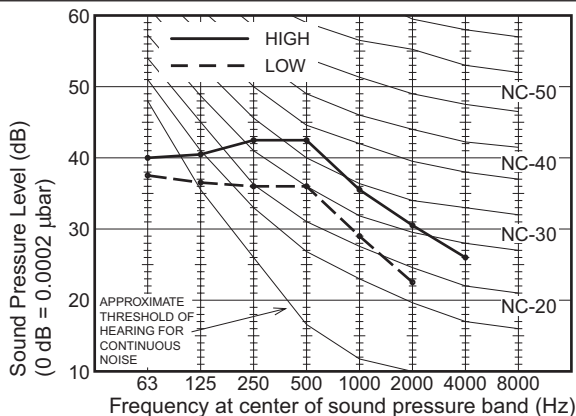
MODEL	: S-45MR1E5
SOUND LEVEL	: HIGH 38 dB(A),
	LOW 31 dB(A),
CONDITION	In front of the unit 1 m, HEIGHT 1 m
SOURCE	: 220 - 230- 240 V, Single-phase, 50/60 Hz



MODEL	: S-56MR1E5
SOUND LEVEL	: HIGH 39 dB(A), NC 34
	LOW 31 dB(A), NC 26
CONDITION	: In front of the unit 1 m, HEIGHT 1 m
SOURCE	: 220 - 230- 240 V, Single-phase, 50/60 Hz



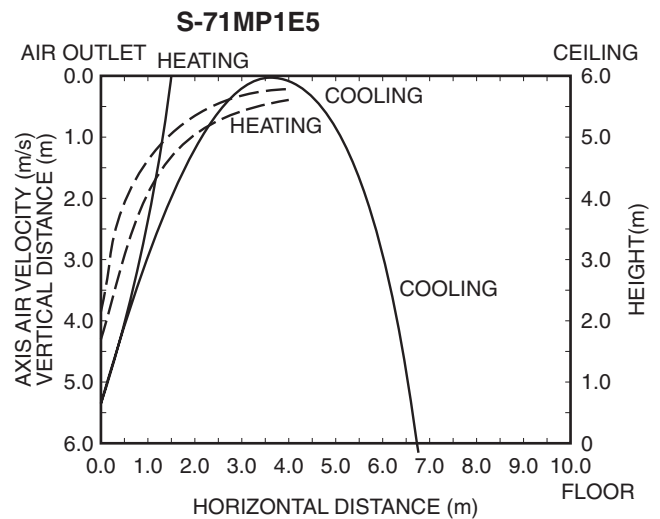
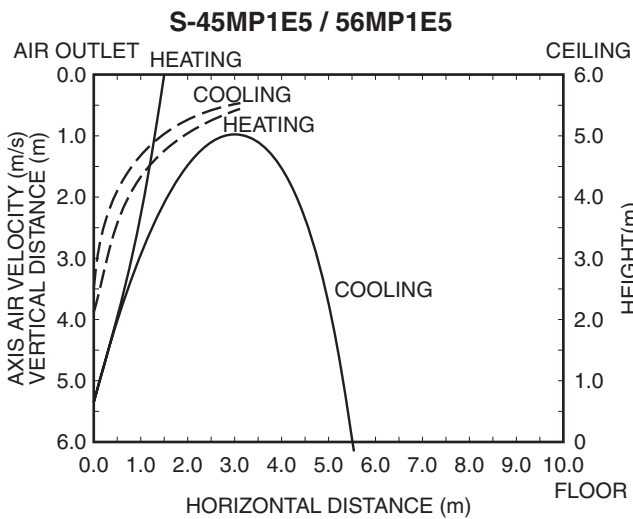
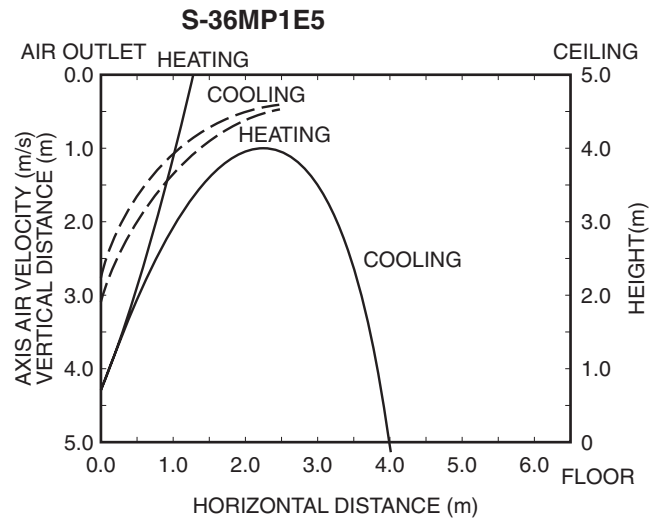
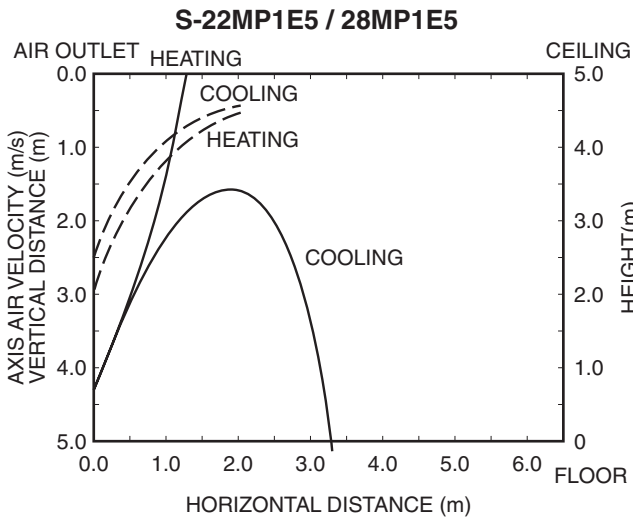
MODEL	: S-71MR1E5
SOUND LEVEL	: HIGH 41 dB(A), NC 37
	LOW 35 dB(A), NC 30
CONDITION	: In front of the unit 1 m, HEIGHT 1 m
SOURCE	: 220 - 230- 240 V, Single-phase, 50/60 Hz



4

9. Floor Standing Type (P1 Type)

9-5. Air Flow Distance Chart



Air conditioner fan speed : Hi
 Room air temp. : 27°C DB in Cooling mode
 20°C DB in Heating mode