

PACi Standard Low Static Pressure Hide Away Inverter+ • R32 GAS

The depth of only 250mm provides greater installation flexibility and the unit can be used in more applications. Ideal for sites with narrow ceiling voids.

Ultra-slim profile: 250mm height for all models.



CZ-RWS3 + CZ-RWRC3
Optional Controller.
Infrared remote controller.



CZ-RE2C2
Optional Controller.
Simplified remote controller.



CZ-CENSC1
Optional Econavi
Sensor.

| | | | Single Phase | | | | | |
|---|---------------------|---------------------|-------------------|-------------------|---------------------|---------------------|---------------------|--|
| | | | 6,00kW | 7,10kW | 10,00kW | 12,50kW | 14,00kW | |
| KIT | | | KIT-60PN1Z5 | KIT-71PN1Z5 | KIT-100PN1Z5 | KIT-125PN1Z5 | KIT-140PN1Z5 | |
| Remote controller | | | CZ-RTC5B | CZ-RTC5B | CZ-RTC5B | CZ-RTC5B | CZ-RTC5B | |
| Cooling capacity | Nominal (Min - Max) | kW | 6,00(2,00 - 7,10) | 7,10(2,00 - 7,70) | 10,00(3,00 - 11,50) | 12,50(3,20 - 13,50) | 14,00(3,30 - 15,00) | |
| EER ¹⁾ | | W/W | 3,31 | 3,11 | 3,30 | 3,20 | 3,00 | |
| SEER ²⁾ | | | 5,80A+ | 5,80A+ | 5,40A | 5,13 | 5,02 | |
| P _{design} | | kW | 6,00 | 7,10 | 10,00 | 12,50 | 14,00 | |
| Input power cooling | | kW | 1,81 | 2,28 | 3,03 | 3,90 | 4,65 | |
| Annual energy consumption ³⁾ | | kWh/a | 361 | 428 | 641 | — | — | |
| Heating capacity | Nominal (Min - Max) | kW | 6,00(1,80 - 7,00) | 7,10(1,80 - 8,10) | 10,00(3,00 - 14,00) | 12,50(3,30 - 15,00) | 14,00(3,40 - 16,00) | |
| COP ¹⁾ | | W/W | 3,90 | 3,72 | 3,91 | 3,60 | 3,55 | |
| SCOP ²⁾ | | | 4,00A+ | 4,00A+ | 3,90A | 3,60 | 3,51 | |
| P _{design} at -10°C | | kW | 5,60 | 5,60 | 7,60 | 12,50 | 14,00 | |
| Input power heating | | kW | 1,54 | 1,90 | 2,56 | 3,46 | 3,94 | |
| Annual energy consumption ³⁾ | | kWh/a | 2095 | 2100 | 3589 | — | — | |
| Indoor unit | | | S-60PN1E5B | S-71PN1E5B | S-100PN1E5B | S-125PN1E5B | S-140PN1E5B | |
| External static pressure ⁴⁾ | Nominal (Min - Max) | Pa | 25(10 - 80) | 25(10 - 80) | 40(10 - 80) | 50(10 - 80) | 50(10 - 80) | |
| Air volume | Hi / Med / Lo | m ³ /min | 22,0/20,0/16,0 | 22,0/20,0/16,0 | 36,0/33,0/26,0 | 38,0/35,0/28,0 | 40,0/37,0/30,0 | |
| Sound pressure ⁵⁾ | Hi / Med / Lo | dB(A) | 38/36/31 | 38/36/31 | 39/37/32 | 40/38/33 | 41/39/34 | |
| Dimension | HxWxD | mm | 250x1000x650 | 250x1000x650 | 250x1200x650 | 250x1200x650 | 250x1200x650 | |
| Net weight | | kg | 32 | 32 | 41 | 41 | 41 | |
| Outdoor unit | | | U-60PZ2E5 | U-71PZ2E5 | U-100PZ2E5 | U-125PZ2E5 | U-140PZ2E5 | |
| Power source | | V | 220/230/240 | 220/230/240 | 220/230/240 | 220/230/240 | 220/230/240 | |
| Current | Cool | A | 8,30/8,00/7,60 | 10,60/10,10/9,60 | 14,00/13,30/12,80 | 17,90/17,10/16,50 | 21,50/20,50/19,60 | |
| | Heat | A | 7,00/6,70/6,40 | 8,80/8,40/8,00 | 11,60/11,10/10,70 | 15,80/15,10/14,50 | 18,00/17,30/16,50 | |
| Air volume | Cool / Heat | m ³ /min | 40/45 | 50/45 | 76/70 | 86/78 | 89/83 | |
| Sound pressure | Cool / Heat (Hi) | dB(A) | 46/48 | 49/49 | 52/52 | 55/55 | 56/56 | |
| Sound power | Cool / Heat (Hi) | dB | 65/68 | 69/69 | 70/70 | 73/73 | 74/74 | |
| Dimension | HxWxD | mm | 695x875x320 | 695x875x320 | 996x980x370 | 996x980x370 | 996x980x370 | |
| Net weight | | kg | 44 | 44 | 90 | 94 | 94 | |
| Piping connections | Liquid pipe | Inch (mm) | 3/8(9,52) | 3/8(9,52) | 3/8(9,52) | 3/8(9,52) | 3/8(9,52) | |
| | Gas pipe | Inch (mm) | 5/8(15,88) | 5/8(15,88) | 5/8(15,88) | 5/8(15,88) | 5/8(15,88) | |
| Pipe length range | | m | 3-40 | 3-40 | 5-50 | 5-50 | 5-50 | |
| Elevation difference (in/out) ⁶⁾ | | m | 30 | 30 | 30 | 30 | 30 | |
| Pipe length for additional gas | | m | 30 | 30 | 30 | 30 | 30 | |
| Additional gas amount | | g/m | 35 | 35 | 45 | 45 | 45 | |
| Refrigerant (R32) / CO ₂ Eq. | | kg / T | 1,45/0,979 | 1,45/0,979 | 2,60/1,755 | 2,98/2,0115 | 2,98/2,0115 | |
| Operating range | Cool Min - Max | °C | -10 ~ +43 | -10 ~ +43 | -10 ~ +43 | -10 ~ +43 | -10 ~ +43 | |
| | Heat Min - Max | °C | -15 ~ +24 | -15 ~ +24 | -15 ~ +24 | -15 ~ +24 | -15 ~ +24 | |

Accessories

| | |
|---------------------------|--|
| CZ-RTC5B | Wired remote controller with Econavi function and datanavi |
| CZ-RWS3 + CZ-RWRC3 | Infrared remote controller |
| CZ-RE2C2 | Simplified remote controller |
| PAW-WTRAY | Tray for condenser water compatible with base ground support |

Accessories

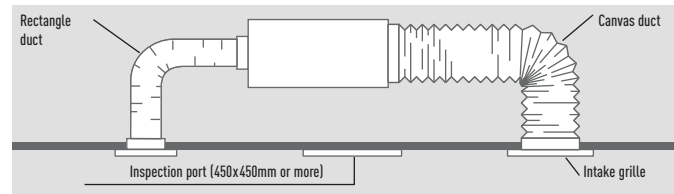
| | |
|---------------------|--|
| PAW-GRDBSE20 | Outdoor base ground support for noise and vibration absorption |
| PAW-GRDSTD40 | Outdoor elevation platform 400x900x400mm |
| CZ-CAPWFC1 | NEW Commercial WLAN Adaptor |

Technical focus

- Automatic learning function for the required static pressure on site during commissioning (a standard wired remote controller is required. S-60/71/100/125/140PN1E5B models only)
- Compact indoor units without losing static pressure (only 250mm high)
- 50 Pa static pressure
- Easy maintenance and service via external electrical box
- 3 speed centrifugal fan through wired or Infrared remote controller
- DC FAN for better efficiency and control
- Easy connection and control of external fan or ERV using the connector PAW-FDC on the indoor unit PCB. The external device can be controlled by the remote control of the Panasonic indoor unit

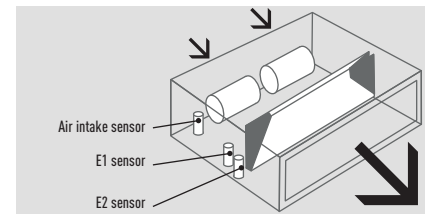
System Example

An inspection port (450mmx450mm or more) is required at the control-box side of the indoor unit body.



Cold Drafts Reduction at Heating

Accurate DX Coil temperature measurement by E1 and E2 sensor to reduce cold drafts at heating and increasing efficiency and comfort.



Before spec-in, please consult with an authorized Panasonic dealer.

| | | | Three Phase | | |
|---|---------------------|---------------------|----------------------|----------------------|----------------------|
| | | | 10,00kW | 12,50kW | 14,00kW |
| KIT | | | KIT-100PN1Z8 | KIT-125PN1Z8 | KIT-140PN1Z8 |
| Remote controller | | | CZ-RTC5B | CZ-RTC5B | CZ-RTC5B |
| Cooling capacity | Nominal (Min - Max) | kW | 10,00 (3,00 - 11,50) | 12,50 (3,20 - 13,50) | 14,00 (3,30 - 15,00) |
| EER ¹⁾ | | W/W | 3,30 | 3,21 | 3,01 |
| SEER ²⁾ | | | 5,40A | 5,11 | 5,01 |
| Pdesign | | kW | 10,00 | 12,50 | 14,00 |
| Input power cooling | | kW | 3,03 | 3,90 | 4,65 |
| Annual energy consumption ³⁾ | | kWh/a | 648 | — | — |
| Heating capacity | Nominal (Min - Max) | kW | 10,00 (3,00 - 14,00) | 12,50 (3,30 - 15,00) | 14,00 (3,40 - 16,00) |
| COP ¹⁾ | | W/W | 3,91 | 3,61 | 3,55 |
| SCOP ²⁾ | | | 3,90A | 3,60 | 3,51 |
| Pdesign at -10°C | | kW | 7,60 | 12,50 | 14,00 |
| Input power heating | | kW | 2,56 | 3,46 | 3,94 |
| Annual energy consumption ³⁾ | | kWh/a | 3589 | — | — |
| Indoor unit | | | S-100PN1E5B | S-125PN1E5B | S-140PN1E5B |
| External static pressure ⁴⁾ | Nominal (Min - Max) | Pa | 40(10 - 80) | 50(10 - 80) | 50(10 - 80) |
| Air volume | Hi / Med / Lo | m ³ /min | 36,0/33,0/26,0 | 38,0/35,0/28,0 | 40,0/37,0/30,0 |
| Sound pressure ⁵⁾ | Hi / Med / Lo | dB(A) | 39/37/32 | 40/38/33 | 41/39/34 |
| Dimension | H x W x D | mm | 250 x 1200 x 650 | 250 x 1200 x 650 | 250 x 1200 x 650 |
| Net weight | | kg | 41 | 41 | 41 |
| Outdoor unit | | | U-100PZ2E8 | U-125PZ2E8 | U-140PZ2E8 |
| Power source | | V | 380/400/415 | 380/400/415 | 380/400/415 |
| Current | Cool | A | 4,70/4,50/4,30 | 6,00/5,70/5,50 | 7,20/6,80/6,60 |
| | Heat | A | 3,90/3,70/3,60 | 5,30/5,00/4,90 | 6,00/5,70/5,50 |
| Air volume | Cool / Heat | m ³ /min | 76/70 | 86/78 | 89/83 |
| Sound pressure | Cool / Heat (Hi) | dB(A) | 52/52 | 55/55 | 56/56 |
| Sound power | Cool / Heat (Hi) | dB | 70/70 | 73/73 | 74/74 |
| Dimension | H x W x D | mm | 996 x 980 x 370 | 996 x 980 x 370 | 996 x 980 x 370 |
| Net weight | | kg | 90 | 94 | 94 |
| Piping connections | Liquid pipe | Inch (mm) | 3/8(9,52) | 3/8(9,52) | 3/8(9,52) |
| | Gas pipe | Inch (mm) | 5/8(15,88) | 5/8(15,88) | 5/8(15,88) |
| Pipe length range | | m | 5 - 50 | 5 - 50 | 5 - 50 |
| Elevation difference (in/out) ⁶⁾ | | m | 30 | 30 | 30 |
| Pipe length for additional gas | | m | 30 | 30 | 30 |
| Additional gas amount | | g/m | 45 | 45 | 45 |
| Refrigerant (R32) / CO ₂ , Eq. | | kg / T | 2,60/1,755 | 2,98/2,0115 | 2,98/2,0115 |
| Operating range | Cool Min ~ Max | °C | -10 ~ +43 | -10 ~ +43 | -10 ~ +43 |
| | Heat Min ~ Max | °C | -15 ~ +24 | -15 ~ +24 | -15 ~ +24 |

1) EER and COP calculation is based in accordance to EN14511. 2) For models below 12kW, the SEER and SCOP is calculated based on values of EU/626/2011. For models above 12kW, the SEER and SCOP is calculated based on values of EU/2281/2016. 3) The annual energy consumption is calculated in accordance to EU/626/2011. 4) Medium external static pressure setting from factory. 5) The sound pressure of the units shows the value measured of the position 1,5 below the unit. The sound pressure is measured in accordance with Eurovent 6/C/006-97 specification. 6) When installing the outdoor unit at a higher position than the indoor unit. * Recommended fuse for the indoor 3A.



SEER and SCOP: For KIT-60PN1Z5 and KIT-71PN1Z5. INTERNET CONTROL: Optional.
Compatible with all Panasonic connectivity solutions. For detailed information go to the Control Systems section.

PACi Elite Low Static Pressure Hide Away Inverter+ • R32 GAS

The depth of only 250mm provides greater installation flexibility and the unit can be used in more applications. Ideal for sites with narrow ceiling voids.

Ultra-slim profile: 250mm height for all models.



CZ-RWS3 + CZ-RWRC3
Optional Controller.
Infrared remote controller.

CZ-RE2C2
Optional Controller.
Simplified remote controller.

CZ-CENSC1
Optional Econavi
Sensor.

| | | | Single Phase | | | | | | |
|---|---------------------|---------------------|--------------------|--------------------|--------------------|--------------------|-----------------------|-----------------------|-----------------------|
| | | | 3,60kW | 5,00kW | 6,00kW | 7,10kW | 10,00kW | 12,50kW | 14,00kW |
| KIT | | | KIT-36PN1ZH5 | KIT-50PN1ZH5 | KIT-60PN1ZH5 | KIT-71PN1ZH5 | KIT-100PN1ZH5 | KIT-125PN1ZH5 | KIT-140PN1ZH5 |
| Remote controller | | | CZ-RTC5B | CZ-RTC5B | CZ-RTC5B | CZ-RTC5B | CZ-RTC5B | CZ-RTC5B | CZ-RTC5B |
| Cooling capacity | Nominal (Min - Max) | kW | 3,60 (1,50 - 4,00) | 5,00 (1,50 - 5,60) | 6,00 (2,00 - 7,10) | 7,10 (2,00 - 9,00) | 10,00 (3,10 - 12,50) | 12,50 (3,20 - 14,00) | 14,00 (3,30 - 16,00) |
| EER ¹⁾ | | W/W | 3,85 | 3,40 | 3,41 | 3,40 | 3,95 | 3,35 | 3,15 |
| SEER ²⁾ | | | 5,10 A | 5,10 A | 6,00 A+ | 6,00 A+ | 6,00 A+ | 5,95 | 5,84 |
| P _{design} | | kW | 3,60 | 5,00 | 6,00 | 7,10 | 10,00 | 12,50 | 14,00 |
| Input power cooling | | kW | 0,93 | 1,47 | 1,76 | 2,09 | 2,53 | 3,73 | 4,45 |
| Annual energy consumption ³⁾ | | kWh/a | 246 | 342 | 350 | 414 | 582 | — | — |
| Heating capacity | Nominal (Min - Max) | kW | 4,00 (1,50 - 5,00) | 5,60 (1,50 - 6,50) | 7,00 (1,80 - 7,00) | 8,00 (2,00 - 9,00) | 11,20 (3,10 - 14,00) | 14,00 (3,30 - 16,00) | 16,00 (3,30 - 18,00) |
| COP ¹⁾ | | W/W | 4,40 | 3,50 | 3,80 | 3,90 | 4,00 | 3,70 | 3,50 |
| SCOP ²⁾ | | | 4,00 A+ | 4,00 A+ | 4,00 A+ | 4,00 A+ | 4,00 A+ | 3,91 | 3,80 |
| P _{design} at -10°C | | kW | 3,60 | 3,80 | 5,60 | 5,20 | 8,00 | 9,50 | 10,60 |
| Input power heating | | kW | 0,91 | 1,60 | 1,84 | 2,05 | 2,80 | 3,78 | 4,45 |
| Annual energy consumption ³⁾ | | kWh/a | 1258 | 1573 | 2095 | 1914 | 2799 | — | — |
| Indoor unit | | | S-36PN1E5B | S-50PN1E5B | S-60PN1E5B | S-71PN1E5B | S-100PN1E5B | S-125PN1E5B | S-140PN1E5B |
| External static pressure ⁴⁾ | Nominal (Min - Max) | Pa | 25 (10 - 80) | 25 (10 - 80) | 25 (10 - 80) | 25 (10 - 80) | 40 (10 - 80) | 50 (10 - 80) | 50 (10 - 80) |
| Air volume | Hi / Med / Lo | m ³ /min | 14,0 / 12,0 / 10,0 | 16,0 / 13,0 / 10,0 | 22,0 / 20,0 / 16,0 | 22,0 / 20,0 / 16,0 | 36,0 / 33,0 / 26,0 | 38,0 / 35,0 / 28,0 | 40,0 / 37,0 / 30,0 |
| Sound pressure ⁵⁾ | Hi / Med / Lo | dB(A) | 35 / 33 / 30 | 36 / 34 / 30 | 38 / 36 / 31 | 38 / 36 / 31 | 39 / 37 / 32 | 40 / 38 / 33 | 41 / 39 / 34 |
| Dimension | H x W x D | mm | 250 x 780 x 650 | 250 x 780 x 650 | 250 x 1000 x 650 | 250 x 1000 x 650 | 250 x 1200 x 650 | 250 x 1200 x 650 | 250 x 1200 x 650 |
| Net weight | Indoor / Panel | kg | 29 | 29 | 32 | 32 | 41 | 41 | 41 |
| Outdoor unit | | | U-36PZH2E5 | U-50PZH2E5 | U-60PZH2E5 | U-71PZH2E5 | U-100PZH2E5 | U-125PZH2E5 | U-140PZH2E5 |
| Power source | | V | 220 / 230 / 240 | 220 / 230 / 240 | 220 / 230 / 240 | 220 / 230 / 240 | 220 / 230 / 240 | 220 / 230 / 240 | 220 / 230 / 240 |
| Current | Cool | A | 4,20 / 4,00 / 3,85 | 6,50 / 6,20 / 5,95 | 8,20 / 7,85 / 7,50 | 9,45 / 9,00 / 8,60 | 11,20 / 10,70 / 10,20 | 16,90 / 16,10 / 15,40 | 20,00 / 19,30 / 18,40 |
| | Heat | A | 4,10 / 3,90 / 3,75 | 7,15 / 6,85 / 6,55 | 8,60 / 8,25 / 7,85 | 9,20 / 8,85 / 8,45 | 2,40 / 11,90 / 11,40 | 17,00 / 16,20 / 15,60 | 20,20 / 19,30 / 18,50 |
| Air volume | Cool / Heat | m ³ /min | 40 / 40 | 40 / 45 | 40 / 45 | 61 / 60 | 118 / 108 | 125 / 122 | 129 / 116 |
| Sound pressure | Cool / Heat (Hi) | dB(A) | 43 / 44 | 45 / 48 | 46 / 49 | 48 / 50 | 52 / 52 | 53 / 53 | 54 / 54 |
| Sound power | Cool / Heat (Hi) | dB | 62 / 64 | 64 / 68 | 65 / 69 | 65 / 67 | 69 / 69 | 70 / 70 | 71 / 71 |
| Dimension | H x W x D | mm | 695 x 875 x 320 | 695 x 875 x 320 | 695 x 875 x 320 | 996 x 940 x 340 | 1416 x 940 x 340 | 1416 x 940 x 340 | 1416 x 940 x 340 |
| Net weight | | kg | 43 | 43 | 44 | 68 | 99 | 99 | 99 |
| Piping connections | Liquid pipe | Inch (mm) | 1/4 (6,35) | 1/4 (6,35) | 3/8 (9,52) | 3/8 (9,52) | 3/8 (9,52) | 3/8 (9,52) | 3/8 (9,52) |
| | Gas pipe | Inch (mm) | 1/2 (12,70) | 1/2 (12,70) | 5/8 (15,88) | 5/8 (15,88) | 5/8 (15,88) | 5/8 (15,88) | 5/8 (15,88) |
| Pipe length range | | m | 3 - 40 | 3 - 40 | 3 - 40 | 5 - 50 | 5 - 85 | 5 - 85 | 5 - 85 |
| Elevation difference (in/out) ⁶⁾ | | m | 30 | 30 | 30 | 30 | 30 | 30 | 30 |
| Pipe length for additional gas | | m | 30 | 30 | 30 | 30 | 30 | 30 | 30 |
| Additional gas amount | | g/m | 20 | 20 | 35 | 45 | 45 | 45 | 45 |
| Refrigerant (R32) / CO ₂ Eq. | | kg / T | 1,15 / 0,776 | 1,15 / 0,776 | 1,45 / 0,979 | 1,95 / 1,316 | 3,05 / 2,059 | 3,05 / 2,059 | 3,05 / 2,059 |
| Operating range | Cool Min - Max | °C | -15 ~ +46 | -15 ~ +46 | -15 ~ +46 | -15 ~ +46 | -15 ~ +46 | -15 ~ +46 | -15 ~ +46 |
| | Heat Min - Max | °C | -20 ~ +24 | -20 ~ +24 | -20 ~ +24 | -20 ~ +24 | -20 ~ +24 | -20 ~ +24 | -20 ~ +24 |

Accessories

| | |
|---------------------------|--|
| CZ-RTC5B | Wired remote controller with Econavi function and datanavi |
| CZ-RWS3 + CZ-RWRC3 | Infrared remote controller |
| CZ-RE2C2 | Simplified remote controller |
| PAW-WTRAY | Tray for condenser water compatible with base ground support |

Accessories

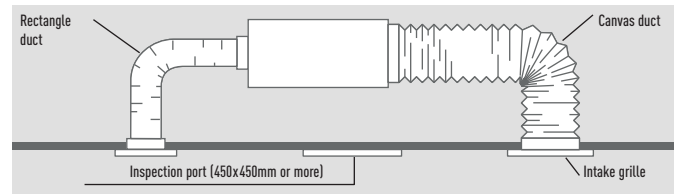
| | |
|---------------------|--|
| PAW-GRDBSE20 | Outdoor base ground support for noise and vibration absorption |
| PAW-GRDSTD40 | Outdoor elevation platform 400 x 900 x 400mm |
| CZ-CAPWFC1 | NEW Commercial WLAN Adaptor |

Technical focus

- Automatic learning function for the required static pressure on site during commissioning (a standard wired remote controller is required. S-60/71/100/125/140PN1E5B models only)
- Compact indoor units without losing static pressure (only 250mm high)
- 50 Pa static pressure
- Easy maintenance and service via external electrical box
- 3 speed centrifugal fan through wired or Infrared remote controller
- DC FAN for better efficiency and control
- Easy connection and control of external fan or ERV using the connector PAW-FDC on the indoor unit PCB. The external device can be controlled by the remote control of the Panasonic indoor unit

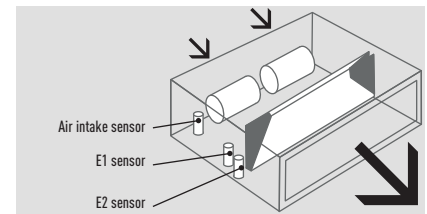
System Example

An inspection port (450mmx450mm or more) is required at the control-box side of the indoor unit body.



Cold Drafts Reduction at Heating

Accurate DX Coil temperature measurement by E1 and E2 sensor to reduce cold drafts at heating and increasing efficiency and comfort.



Before spec-in, please consult with an authorized Panasonic dealer.

| | | | Three Phase | | | |
|---|---------------------|---------------------|-------------------|---------------------|---------------------|---------------------|
| | | | 7,10kW | 10,00kW | 12,50kW | 14,00kW |
| | | | KIT-71PN1ZH8 | KIT-100PN1ZH8 | KIT-125PN1ZH8 | KIT-140PN1ZH8 |
| | | | CZ-RTC5B | CZ-RTC5B | CZ-RTC5B | CZ-RTC5B |
| Remote controller | | | | | | |
| Cooling capacity | Nominal (Min - Max) | kW | 7,10(2,20 - 9,00) | 10,00(3,10 - 12,50) | 12,50(3,20 - 14,00) | 14,00(3,30 - 16,00) |
| EER ¹⁾ | | W/W | 3,40 | 3,95 | 3,35 | 3,15 |
| SEER ²⁾ | | | 5,90 A+ | 5,90 A+ | 5,93 | 5,82 |
| Pdesign | | kW | 7,10 | 10,00 | 12,50 | 14,00 |
| Input power cooling | | kW | 2,09 | 2,53 | 3,73 | 4,45 |
| Annual energy consumption ³⁾ | | kWh/a | 418 | 588 | — | — |
| Heating capacity | Nominal (Min - Max) | kW | 8,00(2,00 - 9,00) | 11,20(3,10 - 14,00) | 14,00(3,30 - 16,00) | 16,00(3,30 - 18,00) |
| COP ¹⁾ | | W/W | 3,90 | 4,00 | 3,70 | 3,60 |
| SCOP ²⁾ | | | 4,00 A+ | 4,00 A+ | 3,91 | 3,80 |
| Pdesign at -10°C | | kW | 5,20 | 8,00 | 9,50 | 10,60 |
| Input power heating | | kW | 2,05 | 2,80 | 3,78 | 4,45 |
| Annual energy consumption ³⁾ | | kWh/a | 1914 | 2799 | — | — |
| Indoor unit | | | S-71PN1E5B | S-100PN1E5B | S-125PN1E5B | S-140PN1E5B |
| External static pressure ⁴⁾ | Nominal (Min - Max) | Pa | 25(10 - 80) | 40(10 - 80) | 50(10 - 80) | 50(10 - 80) |
| Air volume | Hi / Med / Lo | m ³ /min | 22,0/20,0/16,0 | 36,0/33,0/26,0 | 38,0/35,0/28,0 | 46,0/37,0/30,0 |
| Sound pressure ⁵⁾ | Hi / Med / Lo | dB(A) | 38/36/31 | 39/37/32 | 40/38/33 | 41/39/34 |
| Dimension | H x W x D | mm | 250 x 1000 x 650 | 250 x 1200 x 650 | 250 x 1200 x 650 | 250 x 1200 x 650 |
| Net weight | Indoor / Panel | kg | 32 | 41 | 41 | 41 |
| Outdoor unit | | | U-71PZH2E8 | U-100PZH2E8 | U-125PZH2E8 | U-140PZH2E8 |
| Power source | | V | 380/400/415 | 380/400/415 | 380/400/415 | 380/400/415 |
| Current | Cool | A | 3,20/3,05/2,95 | 3,75/3,55/3,45 | 5,65/5,40/5,20 | 11,70/11,20/10,70 |
| | Heat | A | 3,20/2,95/2,85 | 4,20/4,00/3,85 | 5,75/5,45/5,25 | 6,80/6,45/6,20 |
| Air volume | Cool / Heat | m ³ /min | 61/60 | 118/108 | 125/112 | 129/116 |
| Sound pressure | Cool / Heat (Hi) | dB(A) | 48/50 | 52/52 | 53/53 | 54/54 |
| Sound power | Cool / Heat (Hi) | dB | 65/67 | 69/69 | 70/70 | 71/71 |
| Dimension | H x W x D | mm | 996 x 940 x 340 | 1416 x 940 x 340 | 1416 x 940 x 340 | 1416 x 940 x 340 |
| Net weight | | kg | 68 | 99 | 99 | 99 |
| Piping connections | Liquid pipe | Inch (mm) | 3/8(9,52) | 3/8(9,52) | 3/8(9,52) | 3/8(9,52) |
| | Gas pipe | Inch (mm) | 5/8(15,88) | 5/8(15,88) | 5/8(15,88) | 5/8(15,88) |
| Pipe length range | | m | 5 - 50 | 5 - 85 | 5 - 85 | 5 - 85 |
| Elevation difference (in/out) ⁶⁾ | | m | 30 | 30 | 30 | 30 |
| Pipe length for additional gas | | m | 30 | 30 | 30 | 30 |
| Additional gas amount | | g/m | 45 | 45 | 45 | 45 |
| Refrigerant (R32) / CO ₂ , Eq. | | kg / T | 1,95/1,316 | 3,05/2,059 | 3,05/2,059 | 3,05/2,059 |
| Operating range | Cool Min ~ Max | °C | -15 ~ +46 | -15 ~ +46 | -15 ~ +46 | -15 ~ +46 |
| | Heat Min ~ Max | °C | -20 ~ +24 | -20 ~ +24 | -20 ~ +24 | -20 ~ +24 |

1) EER and COP calculation is based in accordance to EN14511. 2) For models below 12kW, the SEER and SCOP is calculated based on values of EU/626/2011. For models above 12kW, the SEER and SCOP is calculated based on values of EU/2281/2016. 3) The annual energy consumption is calculated in accordance to EU/626/2011. 4) Medium external static pressure setting from factory. 5) The sound pressure of the units shows the value measured of the position 1,5 below the unit. The sound pressure is measured in accordance with Eurovent 6/C/006-97 specification. 6) When installing the outdoor unit at a higher position than the indoor unit. * Recommended fuse for the indoor 3A.

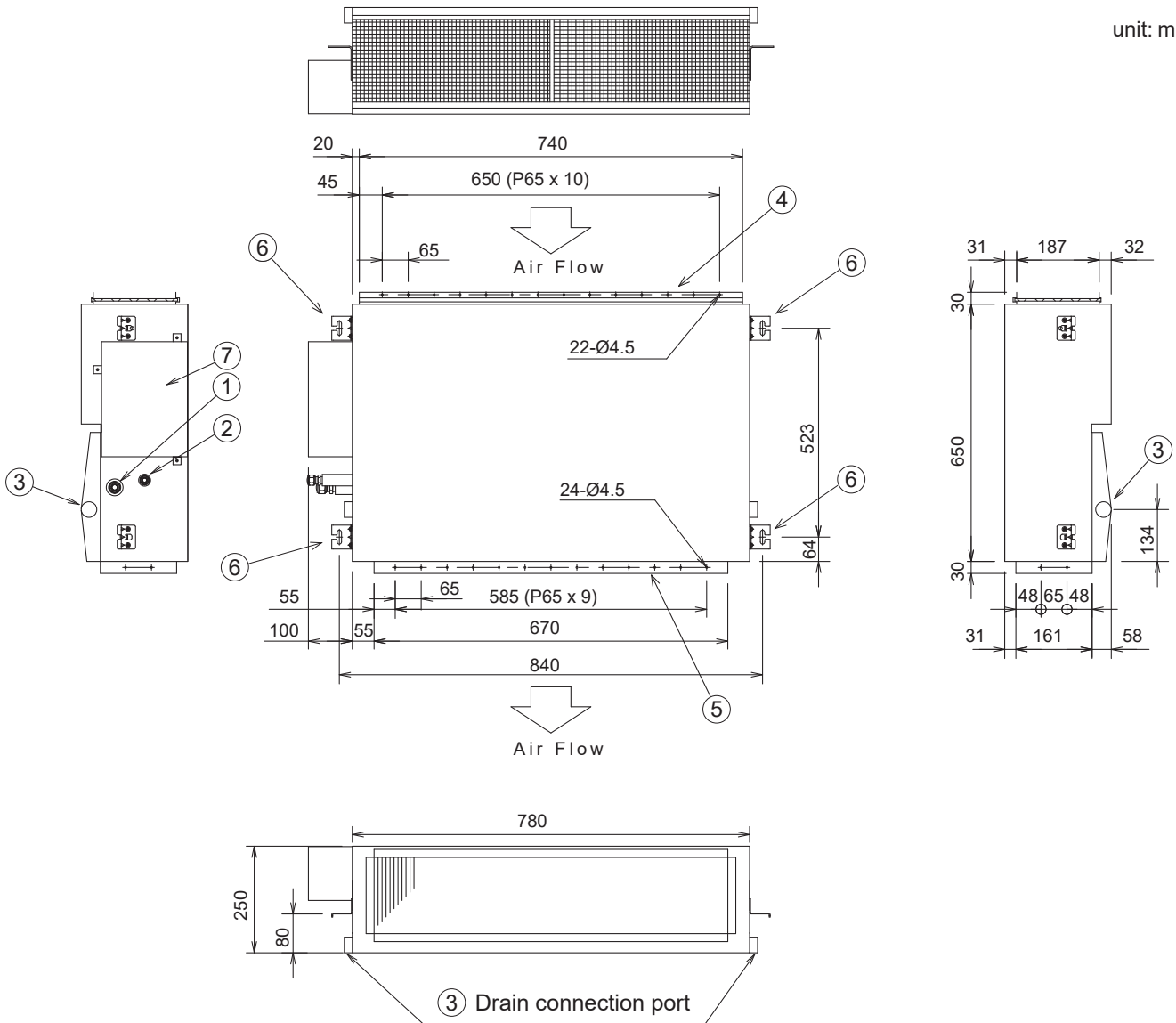


SEER and SCOP: KIT-60PN1ZH5, KIT-71PN1ZH5 and KIT-100PN1ZH5. INTERNET CONTROL: Optional.
Compatible with all Panasonic connectivity solutions. For detailed information go to the Control Systems section.

1-2. Dimensional Data

(A) Indoor Units: S-36PN1E5B, S-45PN1E5B, S-50PN1E5B

unit: mm

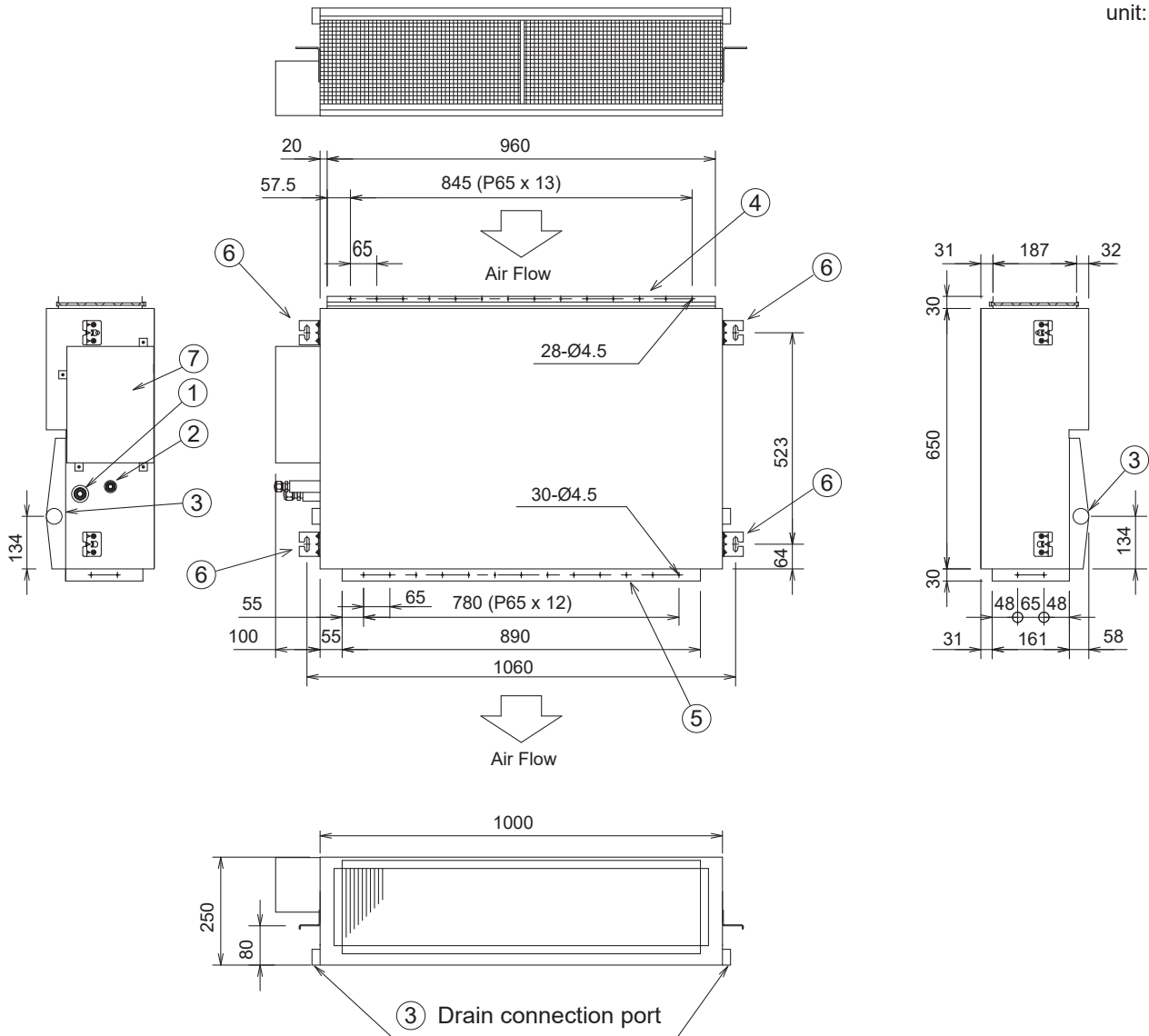


| | |
|---|---|
| ① | Refrigerant tubing joint (gas tube) $\phi 12.7$ (flared) |
| ② | Refrigerant tubing joint (liquid tube) $\phi 6.35$ (flared) |
| ③ | Drain connection port |
| ④ | Flange for flexible air inlet duct |
| ⑤ | Flange for flexible air outlet duct |
| ⑥ | Suspension lug |
| ⑦ | Electrical component box |

1-2. Dimensional Data

(A) Indoor Units: S-60PN1E5B, S-71PN1E5B

unit: mm

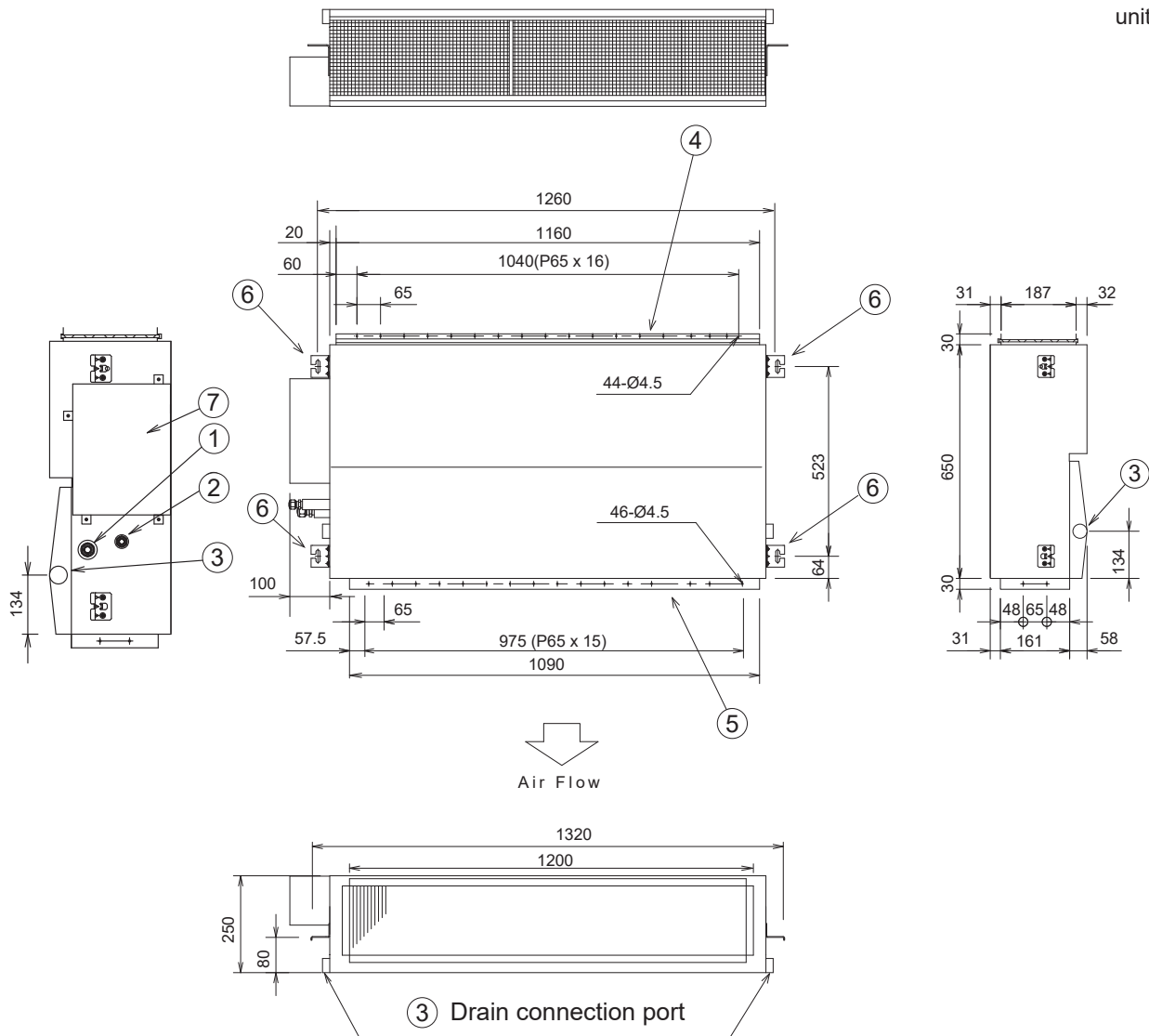


| | |
|---|--|
| ① | Refrigerant tubing joint (gas tube) $\varnothing 15.88$ (flared) |
| ② | Refrigerant tubing joint (liquid tube) $\varnothing 9.52$ (flared) |
| ③ | Drain connection port |
| ④ | Flange for flexible air inlet duct |
| ⑤ | Flange for flexible air outlet duct |
| ⑥ | Suspension lug |
| ⑦ | Electrical component box |

1-2. Dimensional Data

(A) Indoor Units: S-100PN1E5B, S-125PN1E5B, S-140PN1E5B

unit: mm



| | |
|---|--|
| ① | Refrigerant tubing joint (gas tube) $\varnothing 15.88$ (flared) |
| ② | Refrigerant tubing joint (liquid tube) $\varnothing 9.52$ (flared) |
| ③ | Drain connection port |
| ④ | Flange for flexible air inlet duct |
| ⑤ | Flange for flexible air outlet duct |
| ⑥ | Suspension lug |
| ⑦ | Electrical component box |

1-6. Noise Criterion Curves

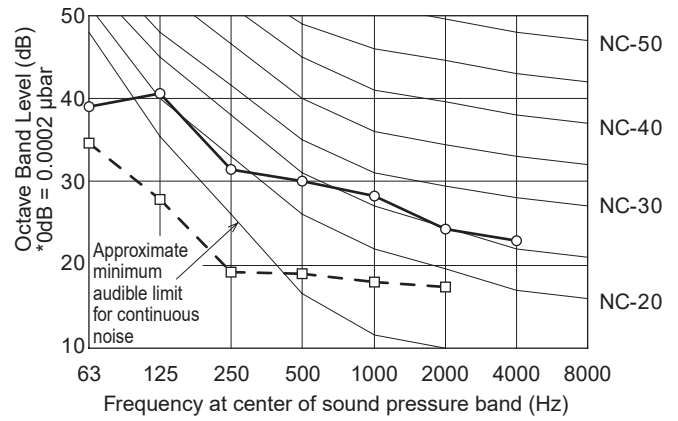
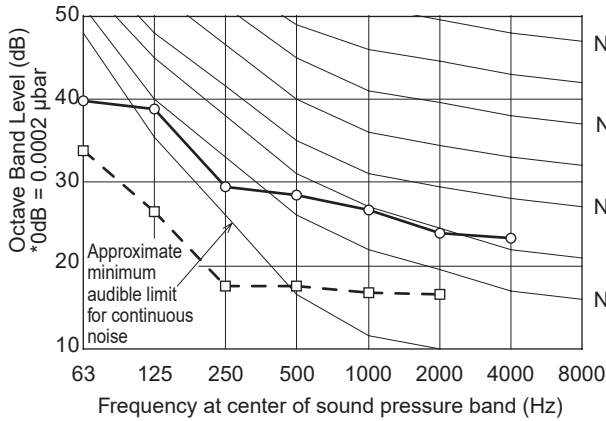
(A) Indoor Units

Low Silhouette Ducted Type

—○— High
 - -□- - Low

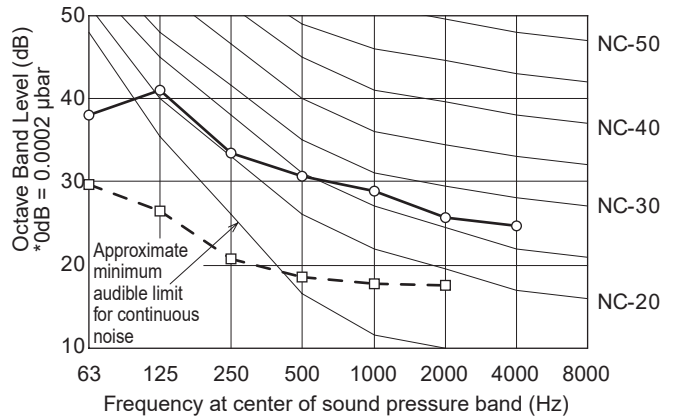
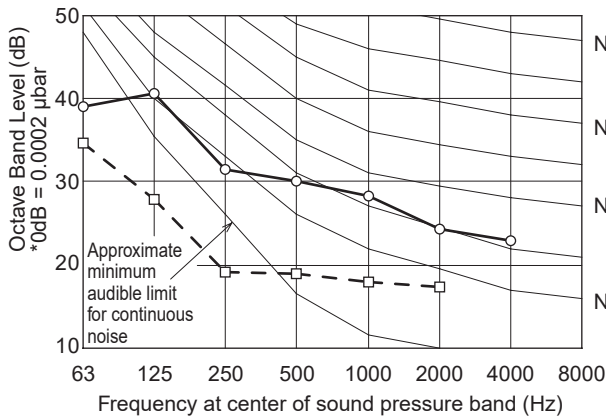
MODEL : S-36PF1E5B
 SOUND LEVEL : High 33 dB(A)
 Low 25 dB(A)
 CONDITION : Under the unit 1.5m
 SOURCE : 220-230-240V, 1 phase, 50Hz

MODEL : S-45PF1E5B
 SOUND LEVEL : High 34 dB(A)
 Low 26 dB(A)
 CONDITION : Under the unit 1.5m
 SOURCE : 220-230-240V, 1 phase, 50Hz

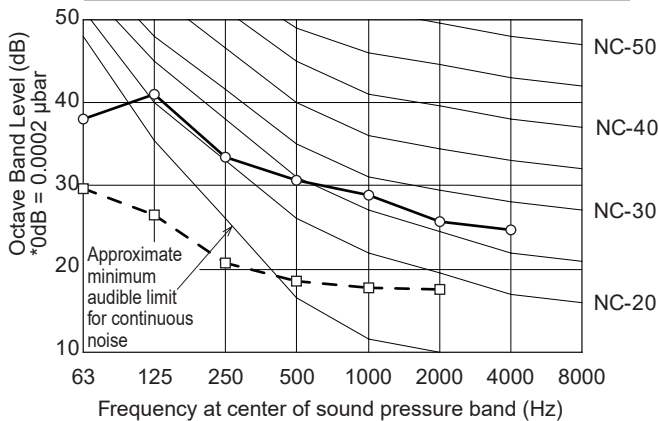


MODEL : S-50PF1E5B
 SOUND LEVEL : High 34 dB(A)
 Low 26 dB(A)
 CONDITION : Under the unit 1.5m
 SOURCE : 220-230-240V, 1 phase, 50Hz

MODEL : S-60PF1E5B
 SOUND LEVEL : High 35 dB(A)
 Low 26 dB(A)
 CONDITION : Under the unit 1.5m
 SOURCE : 220-230-240V, 1 phase, 50Hz



MODEL : S-71PF1E5B
 SOUND LEVEL : High 35 dB(A)
 Low 26 dB(A)
 CONDITION : Under the unit 1.5m
 SOURCE : 220-230-240V, 1 phase, 50Hz

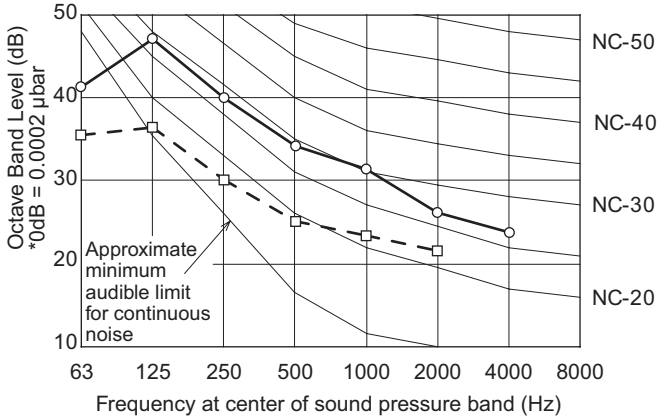


1-6. Noise Criterion Curves

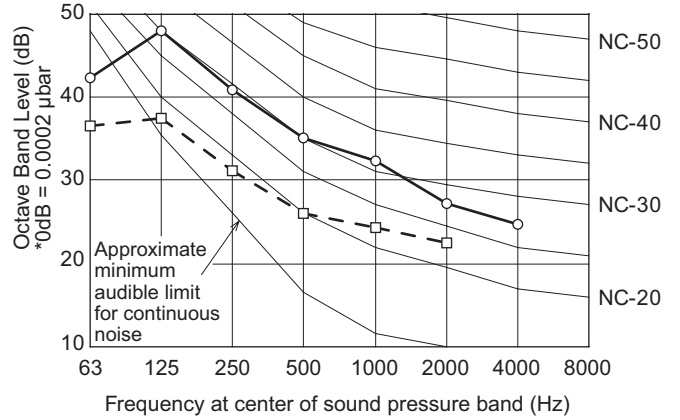
(A) Indoor Units

Low Silhouette Ducted Type

| | |
|-------------|---------------------------------|
| MODEL | : S-100PF1E5B |
| SOUND LEVEL | : High 38 dB(A) Low 31 dB(A) |
| CONDITION | : Under the unit 1.5m |
| SOURCE | : 220-230-240V, 1 phase, 50Hz |



| | |
|-------------|---------------------------------|
| MODEL | : S-125PF1E5B |
| SOUND LEVEL | : High 39 dB(A) Low 32 dB(A) |
| CONDITION | : Under the unit 1.5m |
| SOURCE | : 220-230-240V, 1 phase, 50Hz |



| | |
|-------------|---------------------------------|
| MODEL | : S-140PF1E5B |
| SOUND LEVEL | : High 40 dB(A) Low 33 dB(A) |
| CONDITION | : Under the unit 1.5m |
| SOURCE | : 220-230-240V, 1 phase, 50Hz |

